

# AC 100

## Applicator Control



The Wizard AC 100 is a simple monitor & controller for the modern seed applicator.

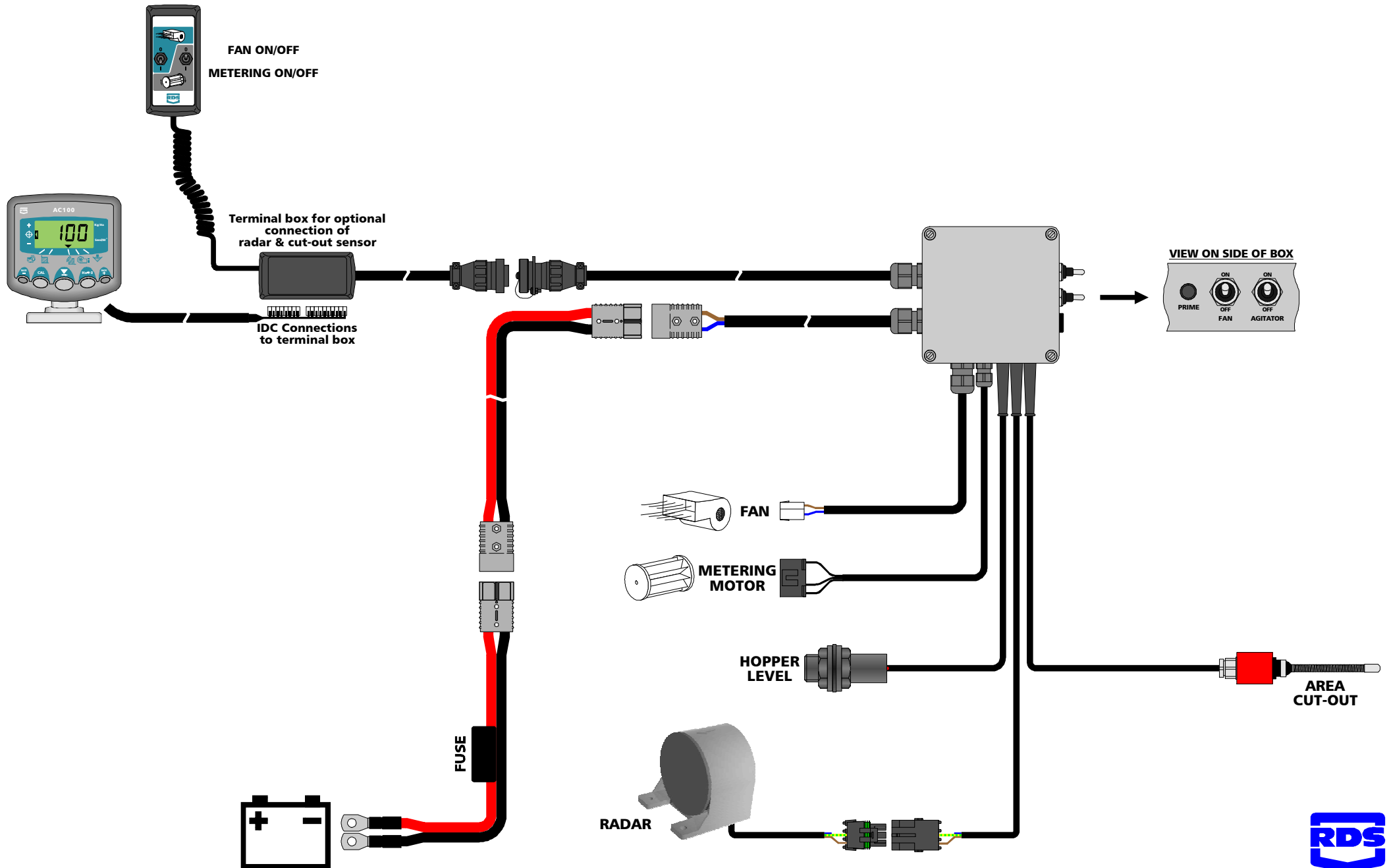
Main function is the control of the metering motor proportional to forward speed to monitor the programmed application rate.

It can also be used to monitor/control the pneumatic fans used for the seed distribution.

The wizard also displays forward speed and low hopper alarm and also records area (2 independently resettable area registers)



# AC 100 - Applicator Control



RDS TECHNOLOGY LTD. CIRENCESTER RD, MINCHINHAMPTON, STROUD, GLOS. GL6 9BH UK

TEL: +44 (0)1453 733300 FAX: +44 (0)1453 733311

E-MAIL: [rds.sales@rdstec.com](mailto:rds.sales@rdstec.com) WEB: [www.rdstec.com](http://www.rdstec.com)

