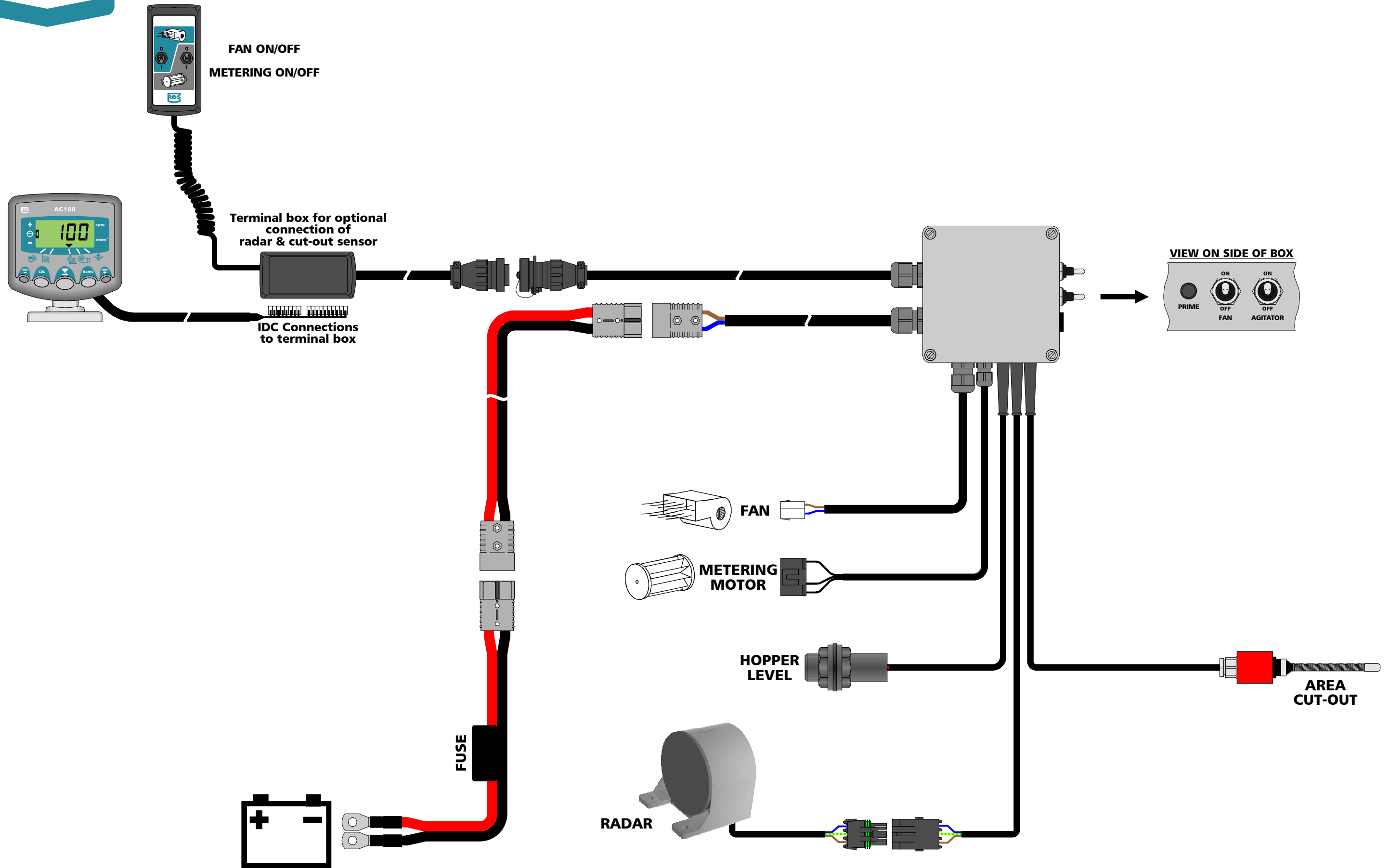




# APPLICATOR CONTROL 100 SCHEMATIC



**This is an example schematic! RDS can customise the solution to meet with your specific requirements**