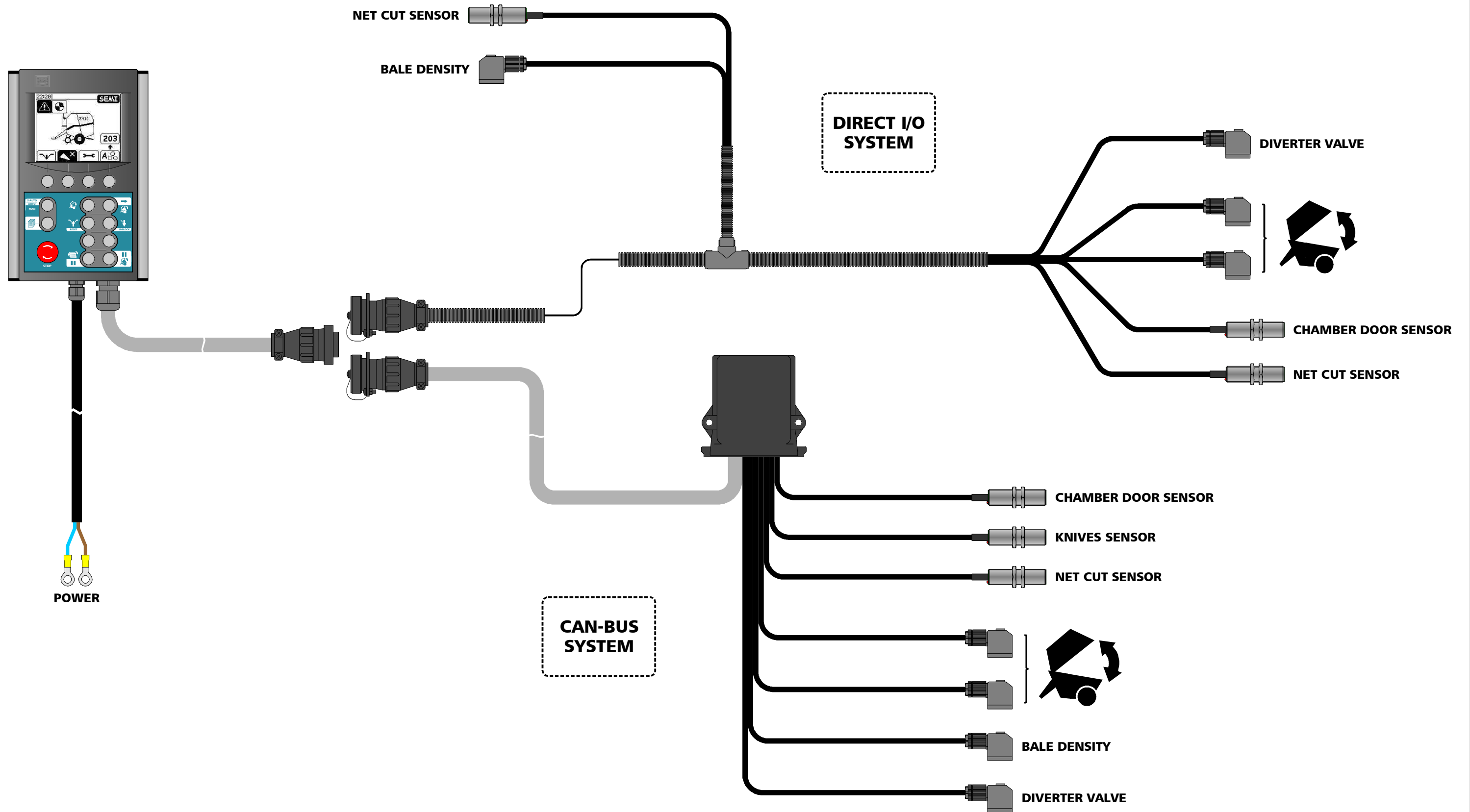




B-MAC 300



This is an example schematic! RDS can customise the solution to meet with your specific requirements